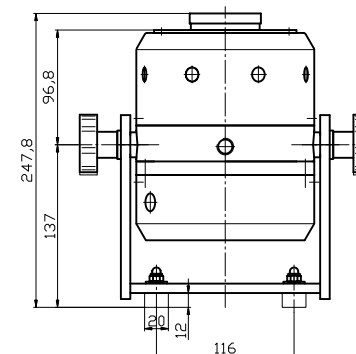


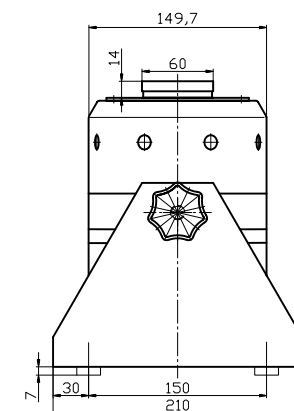
TECHNICAL PARAMETERS Vibration exciter S 51110

Rated peak force $Sine_{pk}/Random_{RMS}$	100/70 N
Frequency range	2-7000 Hz
Main resonance frequency	>6500 Hz
Max. displacement Peak-Peak	13 mm
Max. velocity Sine/Random	1.5/1.5 m/s
Max. acceleration Sine/Random	45/30 g
Suspension stiffness	8 N/mm
Effective moving mass	0.23 kg
Weight	12 kg
Armature diameter	60 mm



SCOPE OF DELIVERY, OPTIONS AND FEATURES OF THE SYSTEM

Scope of delivery: Vibration exciter 100 N Trunnion mount Power amplifier 120 VA Connection cable (3 m) Power cable (1.5 m) for amplifier (CEE 7/7 connector)	Options: Rack for mounting the amplifier Cable extension Factory acceptance test	Features: Vibration isolation Automatic centering of the armature High cross-axial stiffness Light weight construction by using rare earth magnet Minimum maintenance effort Made in Germany Service hotline
--	--	--



TECHNICAL PARAMETERS Power Amplifier BAA 120

Output power RMS	120 VA
Frequency range	DC - 20 kHz
Voltage-/Current mode	yes/yes
Voltage RMS , max.	22 V
Current RMS , max.	5.5 A
Signal input voltage RMS	< 5 V
Distortion	< 0.1 %
Signal to noise ratio	> 90 dB
Weight	16 kg
Dimensions (WxHxD)	483 x 90 x 450 mm
Power supply (Standard)	1 ~ / N / PE 230 V ±5% 50 Hz CEE 7/7
Recommended fuse protection (Standard)	16 A slow
Max. power consumption at 230 V	0.08 kVA
Interlocks:	Overload, Temperature, Clipping

Features:
High Signal to noise ratio of >90 dB

