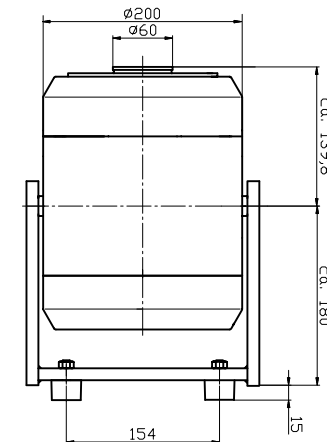


## TECHNICAL PARAMETERS Vibration exciter S 52110

Rated peak force $Sine_{pk}/Random_{RMS}$	100/50 N
Frequency range	2-7000 Hz
Main resonance frequency	>5700 Hz
Max. displacement Peak-Peak	15 mm
Max. velocity Sine/Random	1.5/1.5 m/s
Max. acceleration Sine/Random	50/25 g
Suspension stiffness	5 N/mm
Effective moving mass	0.25 kg
Max. weight tested <sup>1</sup>	3 kg
Weight	36 kg
Armature diameter	60 mm

1) Testing weight has an impact on the possible maximum displacement



## SCOPE OF DELIVERY, OPTIONS AND FEATURES OF THE SYSTEM

### Scope of delivery:

Vibration exciter 100 N  
Trunnion mount  
Power amplifier 120 VA  
Connection cable (3 m)  
Power cable (1.5 m)  
for amplifier (CEE 7/7 connector)

### Options:

Rack for mounting the amplifier  
Cable extension  
Factory acceptance test

### Features:

Vibration isolation  
Automatic centering of the armature  
High cross-axial stiffness  
Minimum maintenance effort  
Made in Germany  
Service hotline

## TECHNICAL PARAMETERS Power Amplifier BAA 120

Output power $P_{RMS}$	120 VA
Frequency range	DC - 20 kHz
Voltage-/Current mode	yes/yes
Voltage $U_{RMS}$ , max.	22 V
Current $I_{RMS}$ , max.	5.5 A
Signal input voltage $U_{RMS}$	< 5 V
Distortion	< 0.1 %
Signal to noise ratio	> 90 dB
Weight	16 kg
Dimensions (WxHxD)	483 x 90 x 450 mm
Power supply (Standard)	1 ~ / N / PE 230 V ± 5% 50 Hz CEE 7/7
Recommended fuse protection (Standard)	16 A slow
Max. power consumption at 230 V	0.08 kVA
Interlocks:	Overload, Temperature, Clipping

### Features:

High Signal to noise ratio of >90 dB

